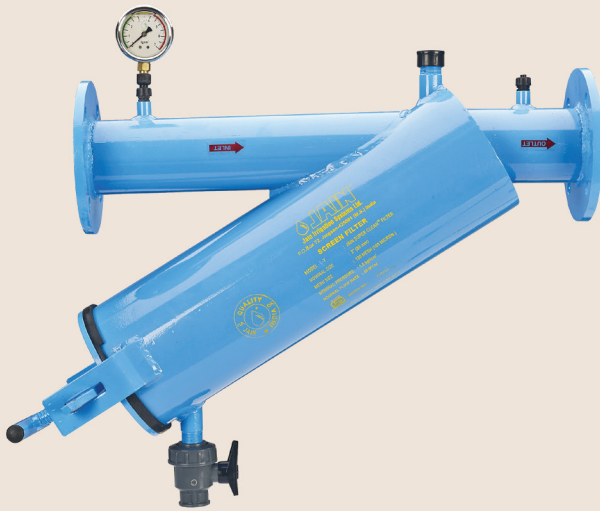




Super Clean[®] - Y

Equipped with Smart Clean Filtration



Features & Benefits

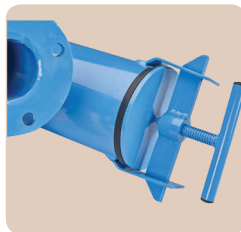
Straight Inlet & Outlet
'Y' shaped body keeps inlet & outlet in one line



Unique Smart Clean Element
Equipped with Smart-Clean, Unique filtering element, to assure high performance and effective filtration

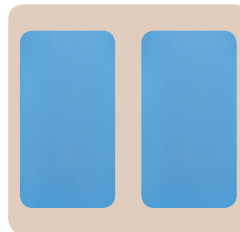


Easy for Maintenance
Strong and smooth opening and closing for cleaning screen element



Standard Pure Polyester / Epoxy coating for Protecting from Corrosion

Coated up to 150 micron thick deep blue colored pure Polyester powder on outer surface & Epoxy coating from inner side for protection against corrosion and weather effects



Various Connection Options Available
Threaded connection, Flanged (universal) connection or Easy Fix[™] connection available



Draining Facility Available
Drain valve position on upper & lower sides of the body provides installation flexibility



Filter & Fertigation

Super Clean® - Y Gold

Additional Features

- Mild steel construction - Available in standard mesh of 100 micron size (other mesh sizes available On demand)
- Flow direction from outside of the element to inside (Out to In)
- Maximum operating pressure 10 kg/cm² (142 psi)
- On demand, Super Clean filter can also be supplied with automatic flushing option
- Super Clean filter can also be supplied in stainless steel material
- Can be supplied in multiple batteries option

Applications

- Prevents irrigation system clogging from physical contaminants

Specifications

Nominal Flow Rate		Inlet/Outlet Connection	Screen Surface Area	Gross Weight	
m ³ /hr	gpm	inch	m ²	kg	lbs
25	95	2"	0.095	16.2	35.6
40	151	2½"	0.138	21.4	47.1
50	189	3"	0.166	24.0	52.8
60	227	4"	0.198	29.8	65.6
80	303	4"	0.264	35.0	77.0
100	379	4"	0.330	40.0	88.0
120	454	6"	0.396	62.2	136.8
150	568	6"	0.496	74.3	163.5

Ordering Specifications

SC	Y	X	XXX
		Material	Flow (m ³ /hr)
		M - Mild Steel	025; 040; 050; 060;
		S - Stainless Steel	080; 100; 120; 150

Example: SCYM040 - This code represents Super-Clean® - 'Y' Deluxe type filter with mild steel construction having flow capacity 40 m³/hr and BS flanged end connection.

Note:

- For automatic flushing change above code as SCYM040A instead of SCYM040
- On demand Super-Clean® - 'Y' Deluxe Type filter can be supplied in any other flow capacity or end connections.

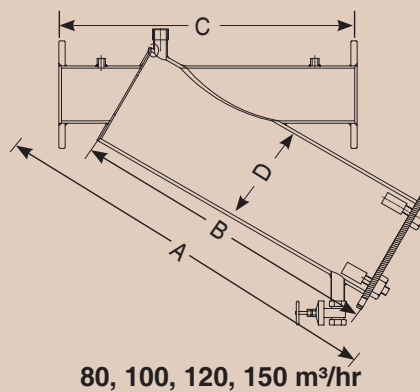
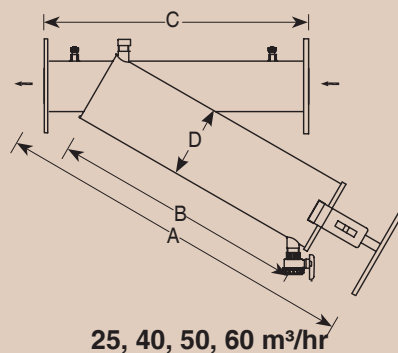
Clean Pressure Drop Chart

Size inch	Flow m ³ /hr	K	m	Pressure Drop(kg/cm ²) w.r.t. Flow (m ³ /hr)															
				10	20	25	30	40	50	60	70	80	90	100	120	140	150	160	
2	25	0.029	0.045	0.05	0.07	0.09	0.11	0.17	0.27	0.42	0.66	1.04	1.63	2.55	-	-	-	-	
2½	40	0.028	0.04	0.04	0.06	0.08	0.09	0.14	0.21	0.31	0.46	0.68	1.02	1.52	-	-	-	-	
3	50	0.034	0.028	0.05	0.06	0.07	0.08	0.11	0.14	0.19	0.25	0.33	0.43	0.57	1.01	1.77	2.35	-	
4	60	0.009	0.036	0.01	0.02	0.02	0.03	0.04	0.05	0.08	0.11	0.16	0.23	0.33	0.68	1.4	2.02	-	
4	80	0.014	0.019	0.02	0.02	0.02	0.03	0.03	0.04	0.04	0.05	0.06	0.08	0.09	0.14	0.2	0.24	0.3	
4	100	0.017	0.02	0.02	0.03	0.03	0.03	0.04	0.05	0.06	0.07	0.08	0.1	0.12	0.18	0.27	0.33	0.4	
6	120	0.007	0.018	0.01	0.01	0.01	0.01	0.02	0.02	0.02	0.03	0.03	0.04	0.04	0.06	0.09	0.1	0.12	
6	150	0.018	0.014	0.02	0.02	0.03	0.03	0.03	0.04	0.04	0.05	0.05	0.06	0.07	0.09	0.12	0.14	0.16	

Governing equation, $h = k e^{m \chi}$; h = Pressure drop (kg/cm²); χ = Flow rate (m³/hr); K = Pressure drop constant; m = Flow constant (for k & m value refer table)

Note: Filters are tested under standard laboratory test conditions.

Dimensional Specifications



Nominal Flow Rate		Inlet/ Outlet Connection	A	B	C	D
m ³ /hr	gpm	inch	mm	mm	mm	mm
25	95	2"	595	292	530	165
40	151	2½"	722	417	600	165
50	189	3"	805	500	600	165
60	227	4"	897	592	600	165
80	303	4"	770	620	600	216
100	379	4"	880	720	600	216
120	454	6"	1095	900	800	273
150	568	6"	1095	900	800	273